

# AIM-65

## 8" Industrial-Grade Tablet with Intel® Atom™ Processor



### Features

- Intel® Atom™ processor with support for Windows 10 IoT and Android 6.0
- 8" WUXGA full HD display with scratch-resistant Corning® Gorilla® Glass 3 and multi-touch PCAP control
- WLAN, BT, NFC, 3G/4G LTE technology for seamless communications
- Optional extension modules such as 1D/2D barcode scanner, LAN + COM module, and UHF RFID module
- Optional accessories include an active stylus pen, hand strap, and shoulder strap, as well as vehicle, office, desk, and VESA docking stations
- Additional modules and accessories can be customized according to application requirements
- SOTI MobiControl certified for enterprise mobility management

SOTI

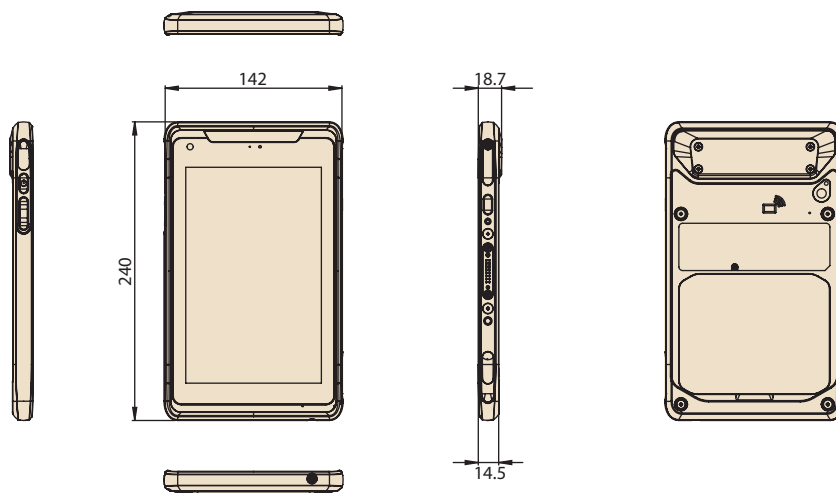


### Specifications

System	Processor	Intel® Atom™ quad-core x5-Z8350 (1.44 GHz)
	Memory	2/4 GB (default 2 GB)
	OS	Windows 10 IoT Enterprise, Android 6.0
Storage	eMMC	32/64 GB (default 32 GB)
	SD Card	1 x Micro SD
Display	Type	8" IPS LCD
	Resolution	WUXGA 1200 x 1920
	Brightness	400 cd/m <sup>2</sup>
Touchscreen	Type	10-point multi-touch P-CAP touch control
	Construction	Directly bonded Corning® Gorilla® Glass 3
Multimedia	Speaker	1 x Internal speaker (1 W)
	Microphone	1 x Internal microphone for noise suppression
Camera	Front	2-Megapixel camera with fixed focus
	Rear	5-Megapixel camera with auto focus and LED flash
Sensors		Ambient light sensor, e-compass, g-sensor, gyroscope
I/O	Standard I/O	1 x Micro HDMI 1 x Micro USB 2.0 (host and charging) 1 x Micro SIM
	Extended I/O	1 x AIM extension 14-pin pogo connector: 1 x USB 2.0, 1 x 2-wire UART, 5V/1A power 1 x AIM dock 16-pin pogo connector: 1 x USB 3.0, 9V power
	Buttons	1 x Power 2 x Volume control 1 x Hotkey (default function: barcode scanner trigger)
	LED	1 x Power/battery status indicator
	Wireless Communication	WLAN/Bluetooth
	NFC	13.56 MHz, compatible with ISO 15693, ISO 14443A, ISO 14443B, FeliCa
	WWAN	4G LTE multi-device broadband
GNSS	Satellite System (Optional)	GPS, GLONASS
Power	Input Voltage	Micro USB: 5V/3A Dock pogo: 9V/2A
	Battery	Swappable battery: 1S2P 3.8V 18.6Wh
Mechanical	Dimensions (W x D x H)	142 x 240 x 14.5 mm (5.59 x 9.44 x 0.57 in)
	Weight	0.6 kg (1.32 lb)
Environment	Operating Temperature	-10 ~ 50 °C (14 ~ 122 °F)
	Storage Temperature	-20 ~ 60 °C (-4 ~ 140 °F)
	IP Rating	IP65
	Shock	Operating: SAE J1455; Non-operating: IEC 60721-3-5 5M3 compliant
	Vibration	SAE J1455
	Drop Tested	Up to 120 cm (4 ft) onto plywood over concrete
	Safety/EMC	UL, CB, LVD + Energy Star 6.1, CE, FCC, IC, VCCI, RCM, CCC, BSMI
Certifications	RED, FCC ID, IC, TELEC, NCC, SRRC, RCM	

## Dimensions

Unit: mm



## System I/O



## Ordering Information

Part Number	Description	Memory	Storage	NFC	Wi-Fi/BT	LTE	Configuration			F-Cam	R-Cam	OS
							GPS					
AIM-65AT-20101000	8I/2G/32G/WIN10/bgn	2 GB	32 GB	Yes	Yes	-	-	-	2 MP	5 MP	Win 10 IoT Enterprise	
AIM-65AT-20103000	8I/2G/32G/WIN10/bgn/NA/GPS	2 GB	32 GB	Yes	Yes	Yes (NA)	Yes	-	2 MP	5 MP	Win 10 IoT Enterprise	
AIM-65AT-20104000	8I/2G/32G/WIN10/bgn/EU/GPS	2 GB	32 GB	Yes	Yes	Yes (EU)	Yes	-	2 MP	5 MP	Win 10 IoT Enterprise	
AIM-65AT-21101000	8I/2G/32G/A6.0/bgn	2 GB	32 GB	Yes	Yes	-	-	-	2 MP	5 MP	Android 6.0	
AIM-65AT-21103000	8I/2G/32G/A6.0/bgn/NA/GPS	2 GB	32 GB	Yes	Yes	Yes (NA)	Yes	-	2 MP	5 MP	Android 6.0	
AIM-65AT-21104000	8I/2G/32G/A6.0/bgn/EU/GPS	2 GB	32 GB	Yes	Yes	Yes (EU)	Yes	-	2 MP	5 MP	Android 6.0	
AIM-65AT-22301000	8I/4G/64G/WIN10/bgn	4 GB	64 GB	Yes	Yes	-	-	-	2 MP	5 MP	Win 10 IoT Enterprise	
AIM-65AT-22307000	8I/4G/64G/WIN10/ac	4 GB	64 GB	Yes	Yes (Wi-Fi AC)	-	-	-	2 MP	5 MP	Win 10 IoT Enterprise	
AIM-65AT-22303000	8I/4G/64G/WIN10/bgn/NA/GPS	4 GB	64 GB	Yes	Yes	Yes (NA)	Yes	-	2 MP	5 MP	Win 10 IoT Enterprise	
AIM-65AT-22304000	8I/4G/64G/WIN10/bgn/EU/GPS	4 GB	64 GB	Yes	Yes	Yes (EU)	Yes	-	2 MP	5 MP	Win 10 IoT Enterprise	
AIM-65AT-23301000	8I/4G/64G/A6.0/bgn	4 GB	64 GB	Yes	Yes	-	-	-	2 MP	5 MP	Android 6.0	
AIM-65AT-23307000	8I/4G/64G/A6.0/ac	4 GB	64 GB	Yes	Yes (Wi-Fi AC)	-	-	-	2 MP	5 MP	Android 6.0	
AIM-65AT-23303000	8I/4G/64G/A6.0/bgn/NA/GPS	4 GB	64 GB	Yes	Yes	Yes (NA)	Yes	-	2 MP	5 MP	Android 6.0	
AIM-65AT-23304000	8I/4G/64G/A6.0/bgn/EU/GPS	4 GB	64 GB	Yes	Yes	Yes (EU)	Yes	-	2 MP	5 MP	Android 6.0	
AIM-65AT-23301TBA	8I/4G/64G/A6.0_U/bgn	4 GB	64 GB	Yes	Yes	-	-	-	2 MP	5 MP	Android 6.0 for SOTI	
AIM-65AT-23303TBA	8I/4G/64G/A6.0_U/bgn/NA/GPS	4 GB	64 GB	Yes	Yes	Yes (NA)	Yes	-	2 MP	5 MP	Android 6.0 for SOTI	
AIM-65AT-23304TBA	8I/4G/64G/A6.0_U/bgn/EU/GPS	4 GB	64 GB	Yes	Yes	Yes (EU)	Yes	-	2 MP	5 MP	Android 6.0 for SOTI	

## Optional Accessories

Part Number	Description
XAIM-A16-018N1A	ADP A/D 100-240V 33W 5V 9V DUAL MIRCRO USB
1700001524	Power cord (USA) UL 3P 10A 125V 183 cm
1700008921	Power cord (Japan) PSE 3P 7A 125V 183 cm
1700019146	Power cord (China) CCC 3P 10A 250V 183 cm
1700018553	Power cord (NZ/AU) SAA 3P 10A 250V 183 cm
170203180A	Power cord (UK) BSI 3P 10A 250V 183 cm
170203183C	Power cord (EU) 3P 2.5A 250V 183 cm

Note: Power cords are suitable for AIM-65, AIM-VSD, and AIM-MCS.

## Packing List

Description
1 x AIM-65
1 x AC/DC adaptor
1 x Power cord TW

# AIM-VEH7

## Vehicle Docking Station for AIM-65 Industrial-Grade Tablet



### Features

- Compatible with 9 ~ 32 V<sub>DC</sub> in-vehicle power supply
- Rapid single-handed docking and undocking
- Anti-theft locking mechanism
- External GPS antenna
- Programmable function keys
- High-density connector
- Compliant with SAE J1455 for vibration and shock tolerance
- Safe and reliable design for vehicle applications

CE FCC CCC

### Specifications

		Fully Configured Unit	Charging Dock Only
I/O	High-Density Connector	1 x CAN bus (supports raw CAN, J1939, OBD-II/ISO 15765) with configurable firmware	
		5 x Digital inputs	
GPS	Extended GPS	1 x Odometer (supports dry and wet contact) with configurable and switchable firmware (default wet contact)	
		2 x Digital outputs (supports speed pulse)	N/A
		1 x RS-232 (4 wire)	
		1 x RS-232/485 (2 wire) (default RS-485, termination enabled)	
		1 x USB 2.0	
		1 x Power output 12V 1A	
Function Keys		5 x Programmable function keys	N/A
Key Lock		Anti-theft key lock (key can be removed)	N/A
Power	Input Voltage	Supports 12/24 V vehicle power (9 ~ 32 V <sub>DC</sub> input range)	
Mechanical	Dimensions (W x D x H)	196 x 76.9 x 212.75 mm (7.71 x 3.02 x 8.37 in)	
	Weight	0.5 kg (1.10 lb)	
Environment	Operating Temperature	-10 ~ 50 °C (14 ~ 122 °F); 0 ~ 40 °C (32 ~ 104 °F) when charging	
	Storage Temperature	-30 ~ 80 °C (-22 ~ 176 °F)	
	IP Rating	IP54	
	Vibration/Shock	SAE J1455	
	Safety	UL, CB, LVD, CCC	
	Vehicle Power Regulation	E-Mark, ISO7637-2	
Certifications		CE, FCC, CCC	

### Ordering Information

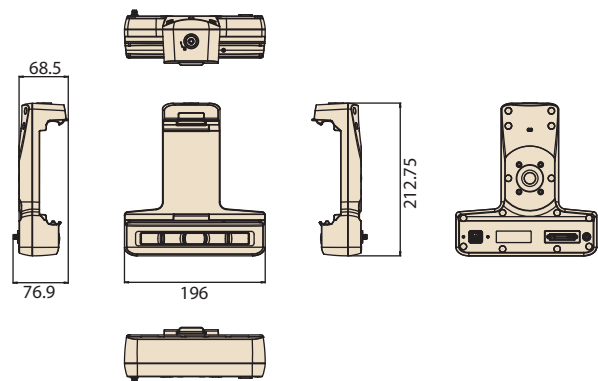
Part Number	Description
AIM-VEH7-0000	AIM vehicle docking station (full configuration)
AIM-VEH7-0010	AIM vehicle docking station (charging only)
1700026766-01	High-density cable
PWS-770-GPSAN00E	External GPS antenna
1700027666-01	Vehicle power cable (In-house engineer testing only)
1700027665-01	Vehicle power cable (vehicle battery)

### Packing List

Description
1 x AIM-VHE7
1 x Vehicle power cable (vehicle battery)

### Dimensions

Unit: mm



# AIM-VSD

## Docking Station Series for AIM-65 Industrial-Grade Tablet



### Features

- 9 ~ 32 V wide input voltage range
- VESA (75 x 75 mm)-compliant docking stations
- -10 ~ 50 °C (14 ~122 °F) operating temperature
- Reliable docking connector for office applications

CE FCC

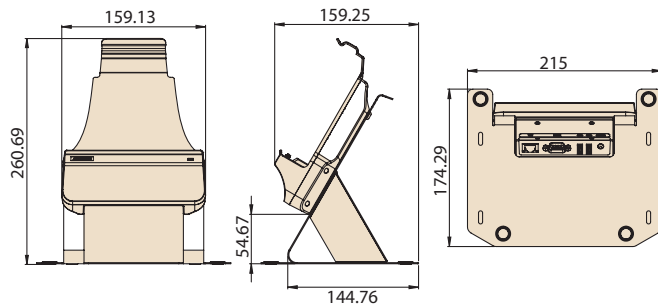
### Specifications

		Advanced Office Docking Station	Office Docking Station with USB	Advanced VESA Docking Station	VESA Docking Station with USB
I/O		2 x USB 3.0 1 x RS-232 COM 1 x Gigabit LAN 1 x Power jack	2 x USB 2.0 1 x Power jack	2 x USB 3.0 1 x RS-232 COM 1 x Gigabit LAN 1 x Power jack	2 x USB 2.0 1 x Power jack
Stand		SECC steel	SECC steel	-	-
Power	Input Voltage	9 ~ 32 V	19 V	9 ~ 32 V	19 V
Mechanical	Dimensions (W x D x H)	215 x 174.29 x 260.69 mm (8.5 x 6.9 x 10.3 in)	215 x 174.29 x 260.69 mm (8.5 x 6.9 x 10.3 in)	160 x 61.8 x 189.2 mm (6.3 x 2.4 x 7.4 in)	160 x 61.8 x 189.2 mm (6.3 x 2.4 x 7.4 in)
	Weight	0.75 kg (1.65 lb)	0.75 kg (1.65 lb)	0.282 kg (0.62 lb)	0.28 kg (0.61 lb)
Environment	Operating Temperature	-10 ~ 50 °C (14 ~122 °F)	-10 ~ 50 °C (14 ~122 °F)	-10 ~ 50 °C (14 ~122 °F)	-10 ~ 50 °C (14 ~122 °F)
	Storage Temperature	-20 ~ 70 °C (-4 ~ 158 °F)	-20 ~ 70 °C (-4 ~ 158 °F)	-20 ~ 70 °C (-4 ~ 158 °F)	-20 ~ 70 °C (-4 ~ 158 °F)
	Safety	UL, CB, LVD, CCC	UL, CB, LVD, CCC	UL, CB, LVD, CCC	UL, CB, LVD, CCC
	Certifications	CE, FCC, CCC	CE, FCC, CCC	CE, FCC, CCC	CE, FCC, CCC

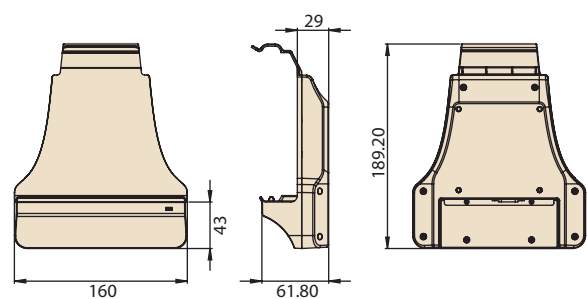
### Dimensions

Unit: mm

#### Office Docking Station



#### VESA Advanced/VESA Docking Station



### Ordering Information

Part Number	Description
AIM-OFDO-0170	AIM 8 advanced office docking station (full I/O configuration)
AIM-OFDO-0171	AIM 8 office docking station (USB)
AIM-VSDO-0170	AIM 8 advanced VESA docking station (Full I/O configuration)
AIM-VSDO-0171	AIM 8 VESA docking station with USB (USB)
AIM-STDO-0000	AIM 8 VESA stand

### Optional Accessories

Part Number	Description
96PSA-A65W19V1-1	ADP A/D 100-240V 65W 19V C6 DC PLUG 180°
1700001524	Power cord (USA) UL 3P 10A 125V 183 cm
1700008921	Power cord (Japan) PSE 3P 7A 125V 183 cm
1700019146	Power cord (China) CCC 3P 10A 250V 183 cm
1700018553	Power cord (NZ/AU) SAA 3P 10A 250V 183 cm
170203180A	Power cord (UK) BSI 3P 10A 250V 183 cm
170203183C	Power cord (EU) 3P 2.5A 250V 183 cm

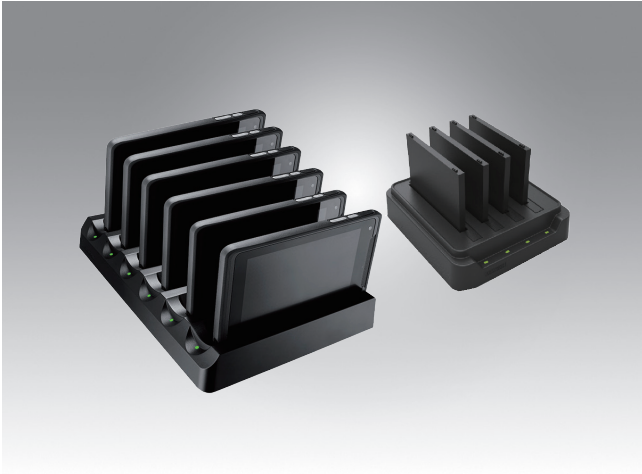
### Packing List

Description
1 x AIM VSD
1 x AC/DC adaptor

Note: The packing list doesn't include power cord. Please order based on following PNs.

# AIM-MCS

## Multi-Bay Charging Stations for AIM



### Features

- Supports charging of up to 6 tablets/4 batteries simultaneously
- Overcurrent and overvoltage protection provided
- Rapid single-handed docking and undocking
- LED indicators for monitoring charging status

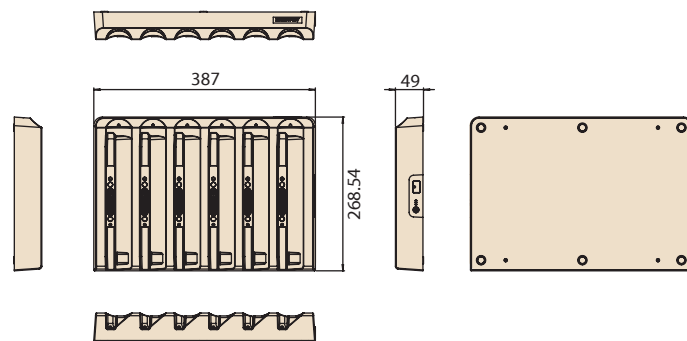
### Specifications

		Multi-Tablet Charging Station	Multi-Battery Charging Station
Capacity	Number of Bays	6	4
	Charging Current	2A	2.5A
	Charging Voltage	9 V	4.35 V
Power	Input Voltage	19 V	19 V
	LED Indicators	Green: Full Amber: Charging Red: Error	Green: Full Amber: Charging Red: Error
Mechanical	Dimensions (W x D x H)	387 x 269 x 49 mm (15.23 x 10.59 x 1.92 in)	144 x 155 x 39 mm (5.66 x 6.10 x 1.53 in)
	Weight	1.98 kg (4.36 lb)	0.48 kg (1.05 lb)
Environment	Operating Temperature	0 ~ 40 °C (32 ~ 104 °F)	0 ~ 40 °C (32 ~ 104 °F)
	Storage Temperature	-10 ~ 50 °C (14 ~ 122 °F)	-10 ~ 50 °C (14 ~ 122 °F)
	Safety	UL, CB, LVD, CCC, RCM	UL, CB, LVD, CCC, RCM
	Certifications	CE, FCC, CCC, RCM, BSMI	CE, FCC, CCC, RCM, BSMI

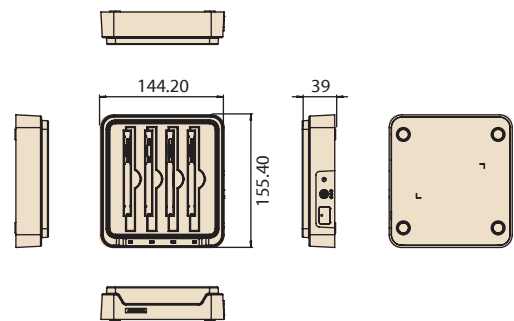
### Dimensions

Unit: mm

#### Multi-Tablet Charging Station



#### Multi-Battery Charging Station



### Ordering Information

Part Number	Description
AIM-CHG0-0150	Multi-tablet charging station for AIM
AIM-MBC0-0051	Multi-battery charging station for AIM

### Optional Adapter

Model	Adapter Part Number	Description
AIM-CHG0-0150	96PSA-A120W19V1	ADP A/D 100-240V 120W 19V C6 DC jack
AIM-MBC0-0051	96PSA-A65W19V1-1	ADP A/D 100-240V 65W 19V C6 DC PLUG 180°

### Packing List

Description
1 x AIM MCS
1 x AC/DC adaptor

Note: The packing list doesn't include power cord. Please order based on following PNs.

### Optional Power Cord

Part Number	Description
1700001524	Power cord (USA) UL 3P 10A 125V 183 cm
1700008921	Power cord (Japan) PSE 3P 7A 125V 183 cm
1700019146	Power cord (China) CCC 3P 10A 250V 183 cm
1700018553	Power cord (NZ/AU) SAA 3P 10A 250V 183 cm
170203180A	Power cord (UK) BSI 3P 10A 250V 183 cm
170203183C	Power cord (EU) 3P 2.5A 250V 183 cm

# AIM-65 Extensions and Accessories

## Extension Modules

**Barcode Scanner (20°)**



**Barcode Scanner (70°)**



**LAN + COM Module**



**UHF RFID Reader**



Part Number	AIM-EXT0-0040	AIM-EXT0-0041	AIM-EXT0-0046	AIM-EXT0-0047 (EU) AIM-EXT0-0049 (US)
<b>Features</b>	<ul style="list-style-type: none"> <li>Sensor: 640 x 480 CMOS sensor</li> <li>Illumination &amp; Aiming: White LED illuminator/Red LED dot aimer</li> <li>Frame rate: 30 fps</li> <li>Field of view: Horizontal: 37.8°; Vertical: 28.8°</li> </ul>	<ul style="list-style-type: none"> <li>Sensor: 640 x 480 CMOS sensor</li> <li>Illumination &amp; Aiming: White LED illuminator/Red LED dot aimer</li> <li>Frame rate: 30 fps</li> <li>Field of view: Horizontal: 37.8°; Vertical: 28.8°</li> </ul>	<ul style="list-style-type: none"> <li>1 x 10/100 Ethernet port</li> <li>1 x COM port</li> </ul>	<ul style="list-style-type: none"> <li>RFID output power: 25 watt</li> <li>RFID antenna type: Linear polarization</li> <li>Frequency: EU: 867 ~ 869MHz; US: 913 ~ 917 MHz</li> <li>Tag standard supported: EPC Class 2 Gen. 2/ ISO 18000-6C</li> </ul>
<b>Dimensions</b>	130.2 x 38.7 x 27.8 mm (5.12 x 1.52 x 1.09 in)	130.2 x 38.7 x 32 mm (5.12 x 1.52 x 1.25 in)	130.2 x 70 x 29 mm (5.12 x 2.75 x 1.14 in)	130.2 x 63.6 x 65.9 mm (5.12 x 2.5 x 2.59 in)
<b>Weight</b>	0.042 kg (0.092 lb)	0.042 kg (0.092 lb)	0.078 kg (0.171 lb)	0.08 kg (0.176 lb)

## Accessories

**Hand Strap**



**Shoulder Strap**



**Holster**



**Active Stylus**



**Battery with Meter**



Part Number	AIM-SRP0-0000	AIM-SRP0-0001	AIM-HOLO-0160	AIM-P704	AIM-BAT0-0252
<b>Color</b>	Black	Black	Black	Black	Black
<b>Dimensions</b>	240 x 20 mm (9.44 x 0.78 in)	380 x 135 x 20 mm (14.96 x 5.31 x 0.78 in)	250 x 150 x 30 mm (9.84 x 5.9 x 1.18 in)	140 x 9.7 mm (5.51 x 0.38 in)	98 x 84.5 x 6.5 mm (3.85 x 3.32 x 0.25 in)
<b>Weight</b>	0.022 kg (0.048 lb)	0.05 kg (0.11 lb)	0.23 kg (0.5 lb)	0.02 kg (0.044 lb)	0.104 kg (0.229 lb)

## Docking Station

**Desk Docking Station**



Part Number	AIM-SDD7-0000
<b>Color</b>	Black
<b>Dimensions</b>	131.5 x 128.5 x 107.9 mm (5.17 x 5.05 x 4.24 in)
<b>Weight</b>	0.572 kg (1.26 lb)